

4PRO SERIES



ACTIVE SPEAKER

4PRO 7001-A

4PRO 7001-A is a leading edge system for touring and professional applications. It is an arrayable, active, medium throw system that integrates a massive power 950 Watt amplifier, a complete electronic processor section and "full neodymium" RCF low distortion, high power transducers. The new 15" inch mid-bass are the result of the latest refinement in years of RCF experience in speaker design and manufacture, resulting in an accurate and a tight bass response. RCF's unique 10" Precision sealed basket midrange is specially optimised to work with the 4PRO-7001-A 60x40 midrange horn. A massive neodymium magnet and a "Compression Driver level" assembly design has been dedicated to reach low distortion and dynamic properties for this transducer. The compression driver uses a new 2.5" titanium dome in front of a low compression, optimised geometry, aluminum phase plug. This innovative design is powered from a high flux neodymium magnet and offers a very open and natural sound and an extreme precision in high frequency reproduction. The driver is loaded on a 60x40 constant directivity aluminum horn. A high current 2 step class H design is used to power the low frequencies. Mid and high frequencies are separately powered from class AB dedicated low distortion designs. The very unique input section presents a combo XLR/Jack line input connector, a recessed master volume and a useful XLR loop-through link. Extra features are the Bass external time delay in/out, the "3-position" array equalisation, the mid-high phase switch. The processor section includes active crossover, system equalization, transducer phase alignment, limiter and protection functions. The system is visually monitored from 4 status LEDs. 4PRO-7001 MH is the two way mid-high system in a trapezoidal enclosure for easy array applications. 4PRO-7001 is the active mid-bass section, including 2 x 15" high power neodymium mid-bass and the powered electronic. The two 15" are loaded in pass-band high efficiency configuration.

Applications

- Concert Sound Applications
- Large Club and Theatres
- Professional DJ Applications
- Night Clubs
- Main PA

Features

- 950 watt Monolithic tri-amplification. 600 watt low frequency, 300 watt midrange frequency and 50 watt high frequency power.
- 138 dB max SPL
- Controlled dispersion, 60 x 40 low distortion, mid-high horns
- 2 x 15" neodymium high power mid-bass, 75mm inside/outside aluminium coil
- 10" neodymium high efficiency, low distortion, sealed basket, horn loaded midrange
- 2" neodymium, titanium dome, high frequency driver, aluminum horn
- Electronic equalization, phase alignment, limiter and protection
- Line combo XLR/Jack input, XLR signal output
- Bass delay insert, Mid-high phase switch, Array equalisations
- Baltic birch cabinets with aluminum handles for easy transportation and positioning
- M10 fly points, 8 fly-tracks each cabinet

ACOUSTICAL SPECIFICATIONS

Frequency response:	50 - 20 Khz
Max SPL:	134 dB
Coverage angle:	60° x 60°
Compression driver:	neo 2" (4PRO 7001 A-MH)
Midrange:	neo 10" (4PRO 7001 A-MH)
Woofer:	2 x neo 15" (4PRO 7001 A-BA)

INPUT SECTION

Input signal (Impedance):	bal/unbal (4PRO 7001 A-BA)
Input connector:	jack/xlr (4PRO 7001 A-BA)
Output signal connector:	xlr (4PRO 7001 A-BA)
Input sensitivity:	0 dBu (4PRO 7001 A-BA)
Mic. input sensitivity:	-

PROCESSOR SECTION

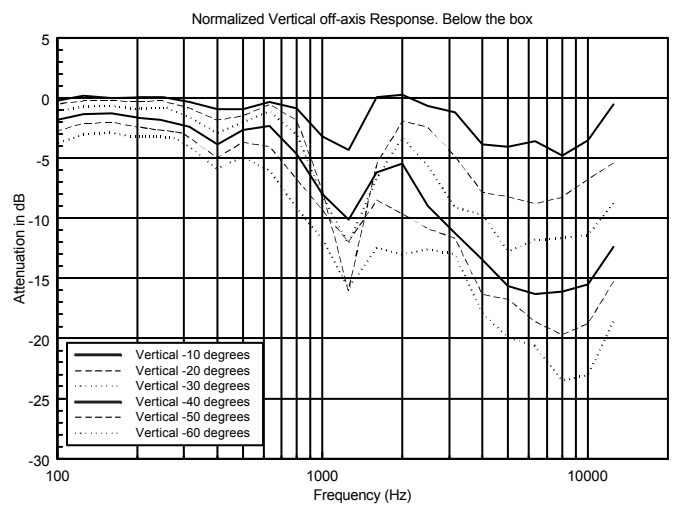
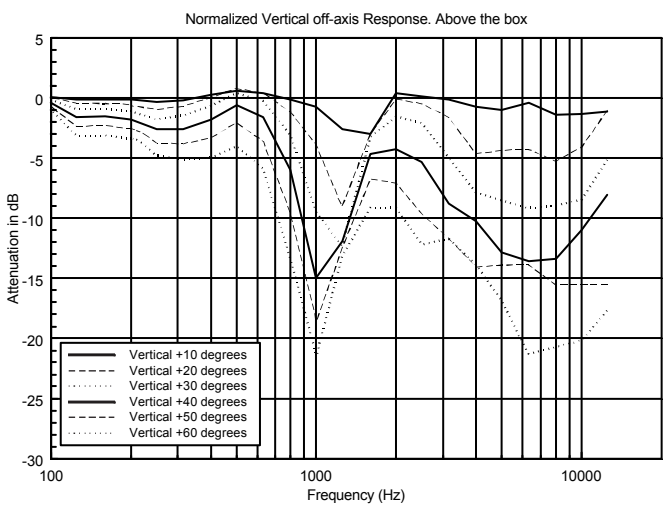
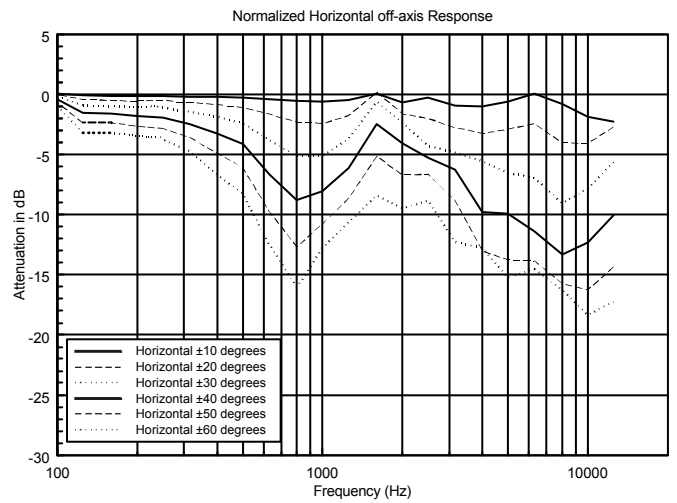
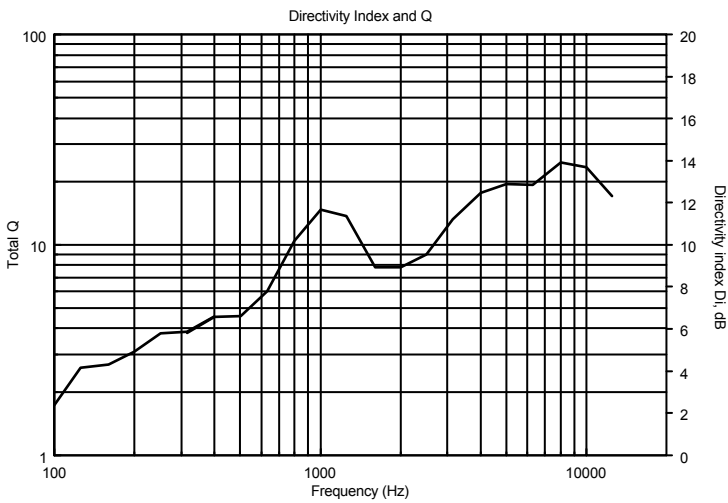
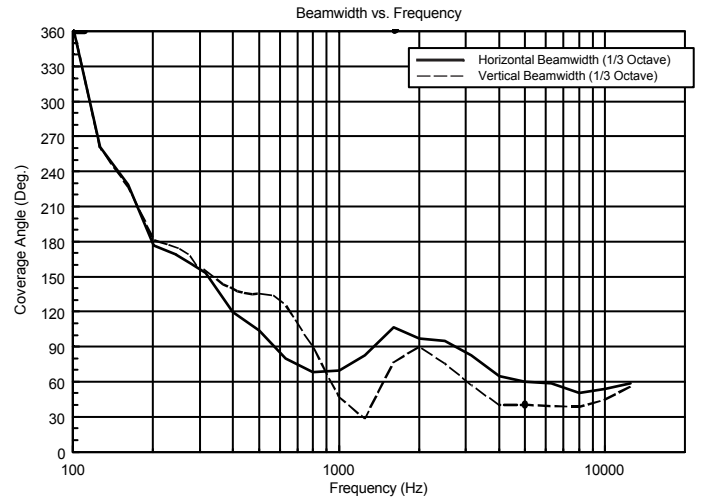
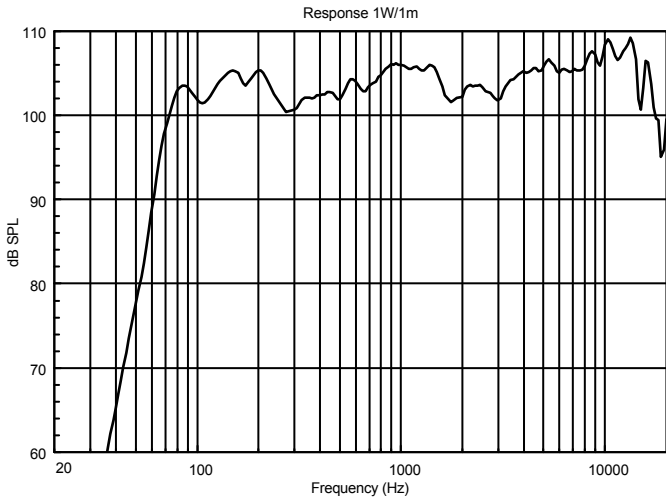
Crossover frequencies:	200Hz / 1200 Hz (MH) - 200Hz (BA)
Protections:	uC / Protection (4PRO 7001 A-BA)
Limiter:	fast limiter (4PRO 7001 A-BA)
Master volume:	yes (4PRO 7001 A-BA)
Music / Voice eq:	-
Remote control option:	-

AMPLIFIER

Nominal power:	950 Watt (4PRO 7001 A-BA)
High frequencies:	ab / 50 Watt (4PRO 7001 A-BA)
Mid frequencies:	H / 300 Watt (4PRO 7001 A-BA)
Low frequencies:	H / 600 Watt (4PRO 7001 A-BA)
Cooling:	Forced (4PRO 7001 A-BA)

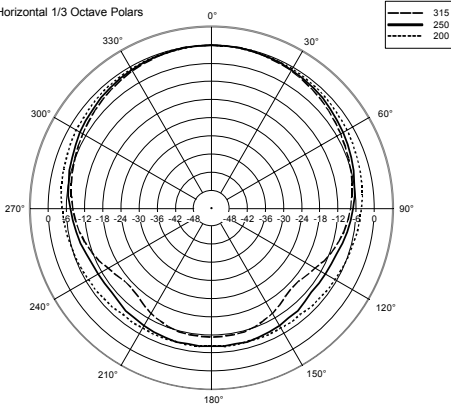
PHYSICAL

Cabinet:	Baltic Birch
Dimensions (HxWxD) MH:	25.94" x 20.43" x 19.52" (659x519x496 mm)
Weight MH:	67.46 lbs. (30,6 kg)
Dimensions (HxWxD) BA:	36.42" x 20.66" x 21.65" (694x523x700 mm)
Weight BA:	119.00 lbs. (54 kg)
Hardware:	3 fly traks
Handles:	2 side (MH), 4 side (BA)
Pole Mount / Cap:	-
Colour:	Black

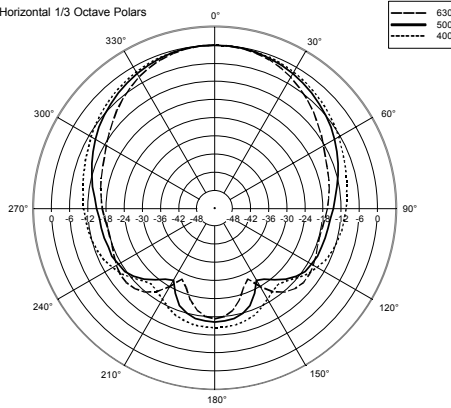


Horizontal 1/3 Polar Plot

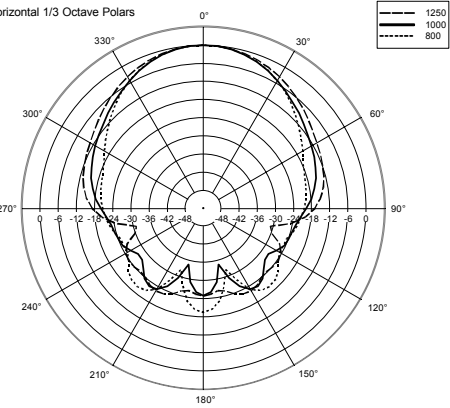
Horizontal 1/3 Octave Polars



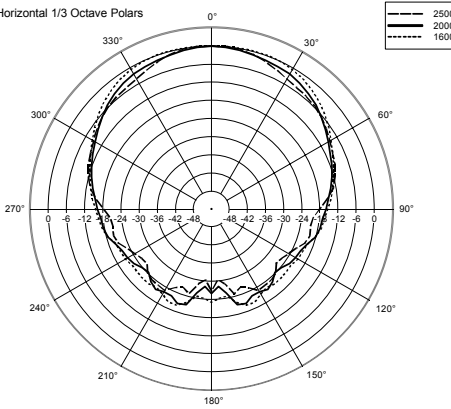
Horizontal 1/3 Octave Polars



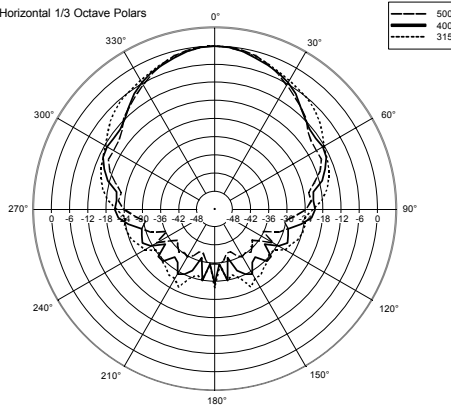
Horizontal 1/3 Octave Polars



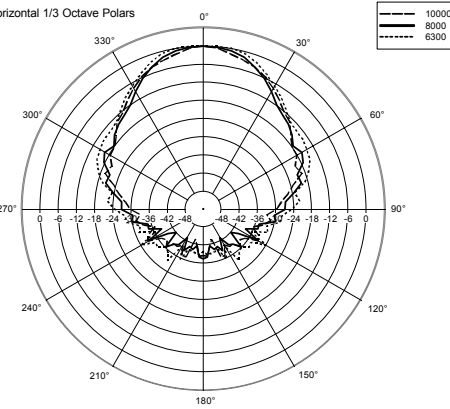
Horizontal 1/3 Octave Polars



Horizontal 1/3 Octave Polars

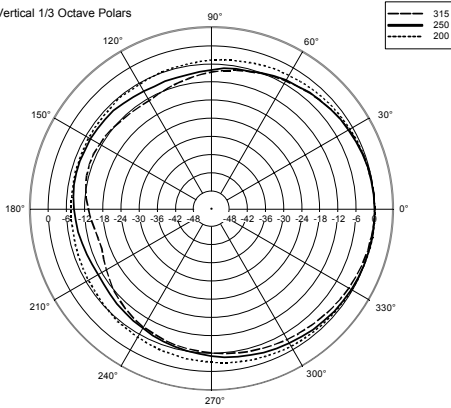


Horizontal 1/3 Octave Polars

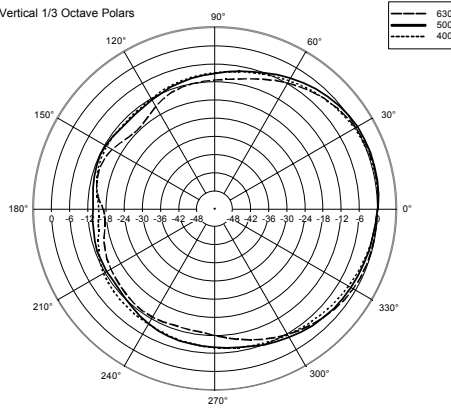


Vertical 1/3 Polar Plot

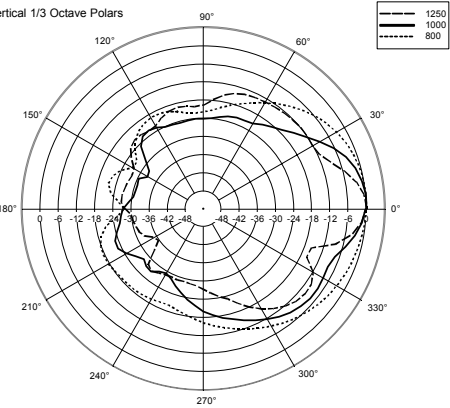
Vertical 1/3 Octave Polars



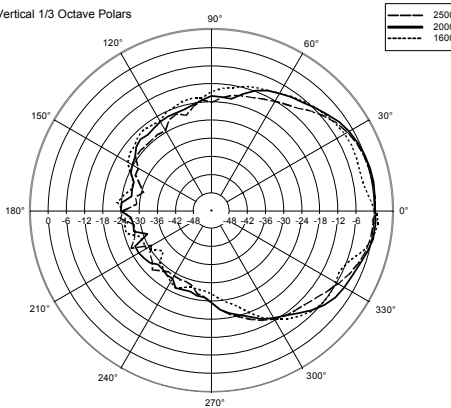
Vertical 1/3 Octave Polars



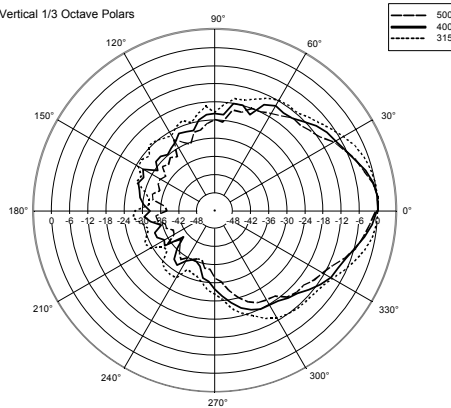
Vertical 1/3 Octave Polars



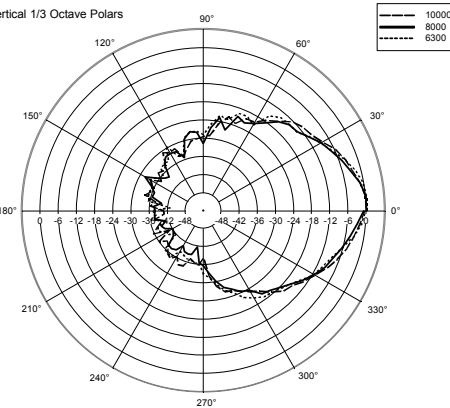
Vertical 1/3 Octave Polars



Vertical 1/3 Octave Polars



Vertical 1/3 Octave Polars



CSI PRODUCT SPECIFICATIONS FOR DESIGNERS, SPECIFIERS, AND CONSULTANTS (ALSO KNOWN AS “A&E SPECIFICATIONS”) The following are “Part 2 Products” CSI-type specifications. It is assumed that “Part 1 General – Administrative and Procedures” and “Part 3 Execution – Installation and Maintenance” are part of an overall audio system or project specification.
PART 2 PRODUCTS

2.01 Approved Manufacturer/Product

A. RCF, Via Raffaello 13, 42010 Mancasale, Reggio Emilia, Italy.

B. Model number: 4PRO 7001-A

2.02 Design

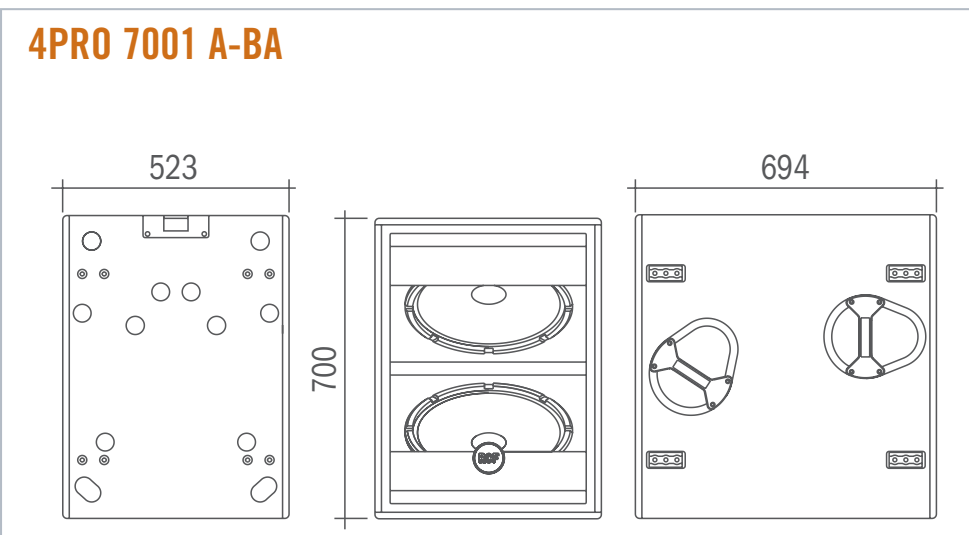
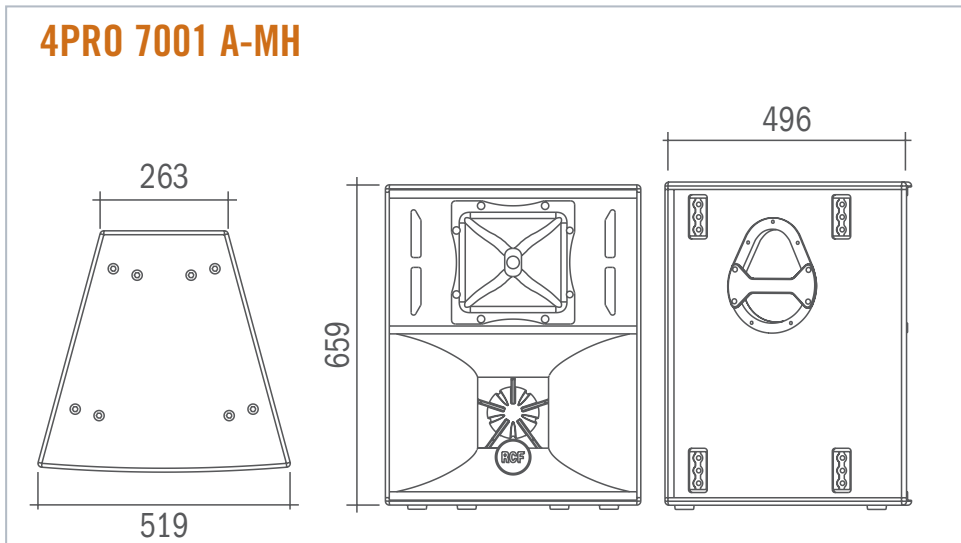
Configuration	3 way system
LF Sub-section 7001 A-BA	2 x 15" woofer, 75 mm inside/outside aluminium coil
MR Sub-section 7001 A-MH	10" neodymium horn loaded midrange
HF Sub-section 7001 A-MH	2" neodymium, titanium dome, driver

2.03 Acoustical Proprieties

Nominal dispersion angle:	Horizontal: 60° - Vertical: 60°
Axial frequency range:	50Hz-20kHz

2.04 Physical Properties

Cabinet:	Baltic birch
Rigging inserts:	M10 fly points, 8 fly-tracks each cabinet
Color:	Black
Grille:	Custom perforated steel grille with open-cell poly fiber backing
Input Connectors:	jack/xlr
Dimensions (H x W x D):	25.94" x 20.43" x 19.52" (659x519x496 mm) 7001 a MH - 36.42" x 20.66" x 21.65" (694x523x700 mm) 7001 A-BA
Weight:	119.00 lbs. (54 kg) 7001 A-BA - 67.46 lbs. (30,6 kg) 7001 a-MH



RCF SpA Italy:
tel. +39 0522 274 411
fax +39 0522 232 428
www.rcfaudio.com
e-mail: info@rcf.it

RCF UK Sales Office:
tel. +44 7005 402181
e-mail: info@rcfaudio.co.uk

RCF France Sales Office:
tel. +33 6 07501800
e-mail: rcfrance@aol.com

RCF Germany Sales Office:
tel. +49 2203 925370
e-mail: germany@rcf.it

RCF USA Sales Office:
tel. +1 (603) 926 4604
e-mail: rcf-usa@comcast.net